

# TWO-WAY VHF RADIO

NTW-1000

- Watertight design
- Either primary battery or secondary battery is available
- External MIC/Speaker can be attached
- Type approval with DNV (MED) and CCS



- Designed to meet GMDSS requirements related with performance standards for survival craft two-way VHF radio telephone apparatus, such as IMO MSC.515 (105), IEC 61097-12.
- Compact, lightweight and rugged construction.
- Full marine-use VHF channels can be available.



## SPECIFICATIONS

### ● TECHNICAL SPECIFICATIONS

- Frequency Range: 156.300~162.975 MHz
- Operating Channels: 19 channels (default)
- Operating Hours:  $\geq 8$  hours (TX10%, RX10%, Standby80%)
- Output Power: High 3.0 W / Low 0.5 W

### ● BATTERY REQUIREMENTS (NBT200)

- Battery Voltage: DC 7.2 V
- Storage Temp:  $-30^{\circ}\text{C}\sim+70^{\circ}\text{C}$
- Storage Life: Max 4 years on board  
(plus one year of shelf time)

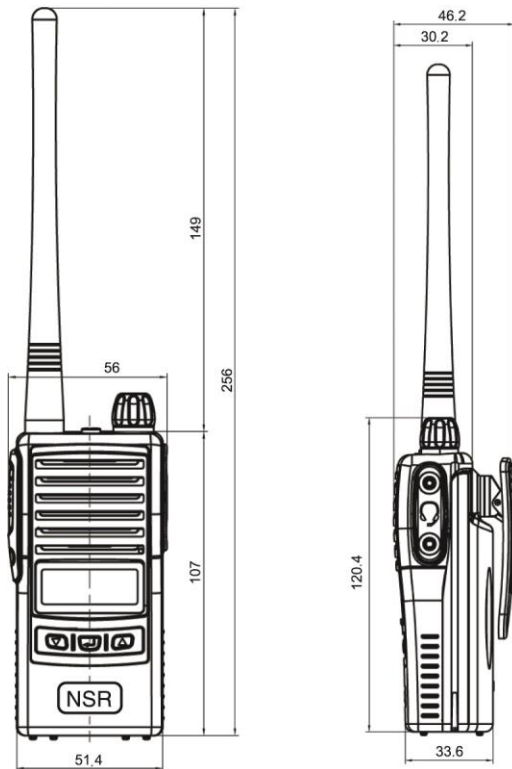
### ● SIZE & WEIGHT

- Size: 256 (H) $\times$ 56 (W) $\times$ 46.2 (D) mm
- Weight: 400g (Transceiver + Emergency Battery)

### ● IP GRADE

- IP67 (Transceiver / Antenna / Battery)
- IP22 (Charger / Adaptor)

## SIZE DIMENSION



## EQUIPMENT LIST

### ● STANDARD

- Transceiver & Antenna 1 set
- Emergency Battery (NBT200) 1 pc
- Belt Clip 1 pc
- Wrist Rope 1 pc
- Rechargeable Battery (NBT200C) 1 pc
- Battery Charger (NBT200CU) 1 pc
- AC/DC Adaptor 1 pc



Battery  
Emergency / Rechargeable



Wrist Rope



Belt Clip



Battery Charger



AC/DC Adaptor