

- Comply with the latest IEC standards
- AVCS ENC Supported
- Built-in wide-range isolated power supply
- Completely isolated interface to avoid interaction
- 1280x1024 high-resolution color LCD, touch screen operation
- Brightness control on panel, convenient for night navigation
- Industrial design for marine use
- Android O/S for easy operation
- Type approved by CCS



Electronic Chart System (ECS)

- NES-1000 ECS is an electronic chart system, which is designed to comply with the latest IEC and IHO S52 standards.
- Electronic chart display, illimitable zoom.
- Position, COG, SOG and heading displayed.
- CPA/TCPA calculation, Navigation functions with route plan.
- AIS targets displayed on the chart
- The inputs include GNSS, AIS, VDR, Echo Sounder and HDG data.



SPECIFICATIONS

● MAIN UNIT

- Resolution: 1280×1024
- Display Color: 16.7M, 6bits+FRC
- Display Size: 19 inch
- Protected Glass: Bonding Glass
- Power Supply: DC 24V (9V~36V)
- Size: 467 (W) × 442.5 (H) × 116.5 (D) mm
- Weight: 14 kg
- Interface: RS232×2, RS422×4
RS422 (standby) ×4
USB×4, RJ45×2, DI/DO×2, HDMI×1

● MONITORING

- Own Ship: Position, COG, SOG, Heading
- AIS Targets: AIS Class A, AIS Class B, AIS AtoN Station, AIS MOB AIS Base Station
- AIS Alert: CPA/TCPA

● S/W

- OS: Android
- Operation Method: Touch screen operation, Trackball
- Chart Update: USB

● IP GRADE:

IP22

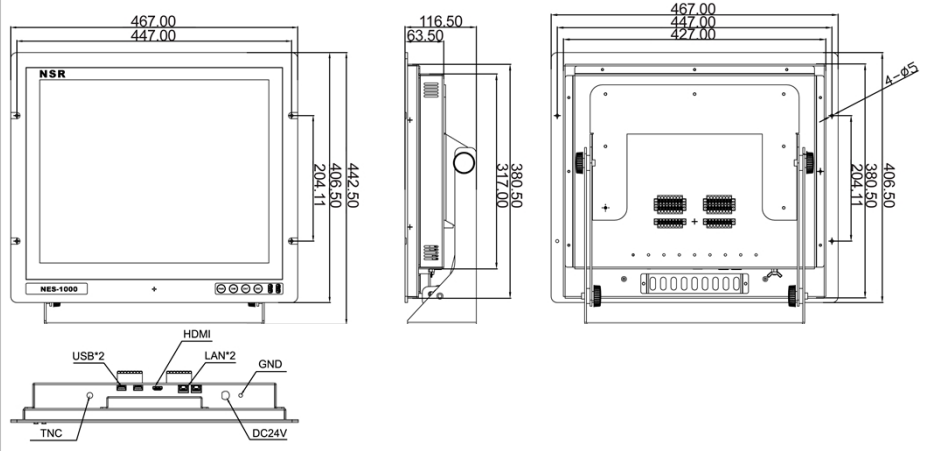
EQUIPMENT LIST

● STANDARD

- Main Unit (19 inch)
- Trackball
- Installation Material



SIZE DIMENSION



SYSTEM DIAGRAM

