

SART (Search and Rescue Radar Transponder)

NRT-1000

- High compatibility and stability
- Type approval with CCS, RS and VR



- Designed to use for emergency purpose on life raft.
- Adopts low consumption design to ensure the product to continuously operate more than 96 hours.
- The Search and Rescue Radar Transponder (SART) is a 9 GHz receiver / transmitter which provides a position.
- The fundamental function of the SART is to indicate its position by producing range and bearing information on any 9 GHz radar screen of any nearby vessels and aircraft.
- When its RADAR receiver is triggered by an interrogating RADAR of 9 GHz band on a search and rescue ship or aircraft, the SART immediately transmits a coded response signal (a series of 12 dots).
- Conforms to the latest standards including IMO A.802 (19) and IEC 61097-1.



SPECIFICATIONS

● TECHNICAL SPECIFICATIONS

- TX Frequency: 9.2~9.5 GHz
- Polarization: Horizontal
- Radiated Power: 400 mW E.I.R.P
- Receiver Sensitivity: Better than -50 dBm

● BATTERY REQUIREMENTS (NBT100S)

- Battery Voltage: DC 7.2 V
- Storage Temp: -30°C~+70°C
- Storage Time: Max 5 years on board
(plus one year of shelf time)
- Operating hours: ≥96 hours

● WORKING ENVIRONMENTS

- Operating Temp: -20°C~+55°C
- Floating Type: Floatable
- IP Grade: IP67

● SIZE & WEIGHT

- Size: 95 (D)×377 (L) mm
- Weight: 750 g

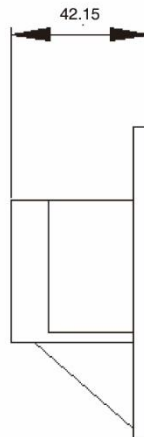
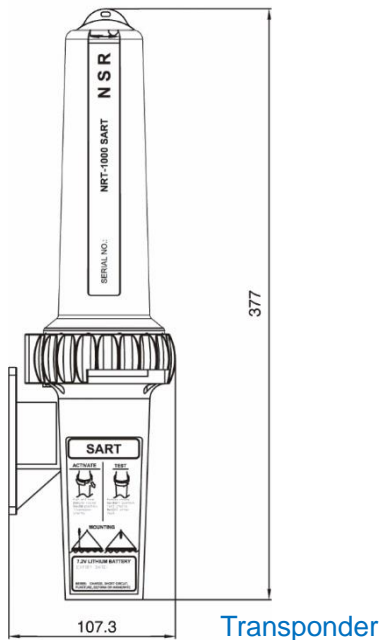
EQUIPMENT LIST

● STANDARD

- Transponder (NRT-1000) 1 pc
- Installation Bracket 1 pc
- Tele-Pole (1.5 m) 1 pc
- Accessories 1 set



SIZE DIMENSION



Mount bracket

