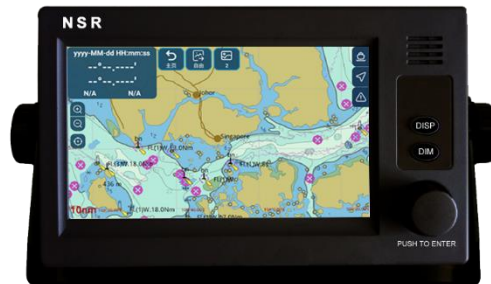
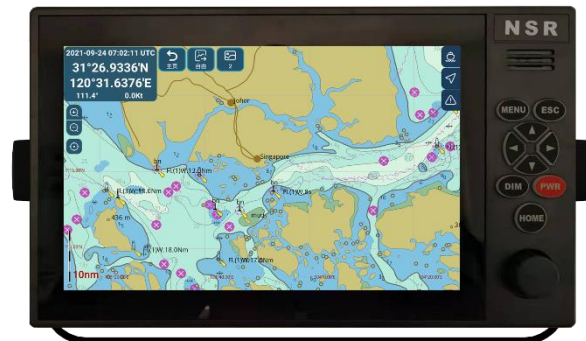


NSR's new generation of Chart Plotter:

- Chart + AIS Display + GNSS Navigator, 3 in 1
- Meet the IMO regulation and IEC standards
- Touch screen operation
- Android system
- Easy to upgrade



7' PLOTTER



10.1' PLOTTER

NES-3007G/NES-3010G is designed for vessel navigational aid, which can work together with AIS, to provide GNSS navigator aid and AIS presentation, and also can work alone as a GNSS navigator. It conforms to the international standards, such as IMO MSC.112 (73), IEC 60945, IEC 61108-1, IEC 61162-1 etc.



SPECIFICATIONS

- CPU: Quad-Core 64 bit ARM
- Main Frequency: 1.5 GHz
- RAM: 2 GB
- ROM: 8 GB
- OS: Android
- LCD DISPLAY: Touch screen operation
 - Size: 7' (NES-3007G) or 10.1' (NES-3010G)
 - Resolution: 1024×600 (NES-3007G)
1280×800 (NES-3010G)
- Interface: RS232×2, RS422×2, LAN×2, USB×1, HDMI×1
- Power Supply: DC 24 V (9 V ~ 36 V)
- IP Grade: IP22 (Plotter)
IP66 (Antenna)

EQUIPMENT LIST

● INDEPENDENT PLOTTER

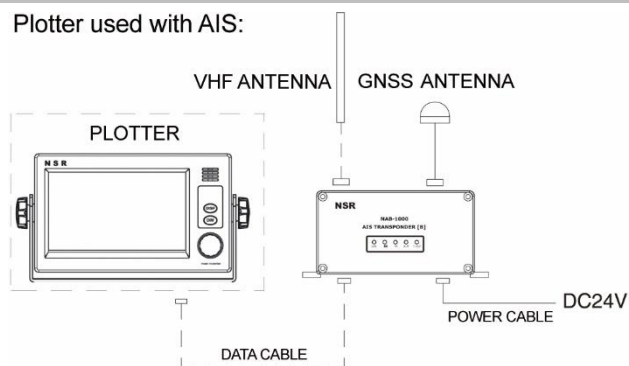
- NES-3007G/NES-3010G 1 pc
- GNSS Antenna 1 pc
- Accessories 1 set

● PLOTTER USED WITH AIS

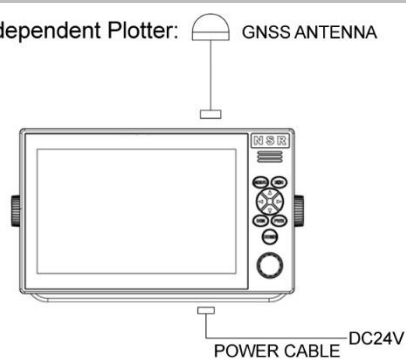
- NES-3007/NES-3010 1 pc
- Accessories 1 set
- Flush Mount Brackets 1 set

SYSTEM DIAGRAM

Plotter used with AIS:

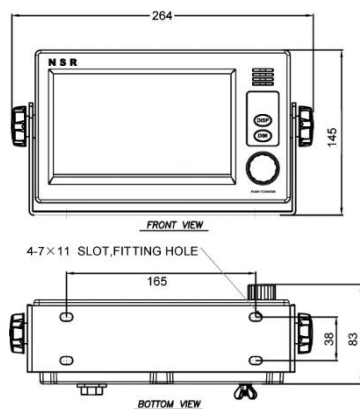


Independent Plotter: GNSS ANTENNA



SIZE DIMENSION

7' PLOTTER



10.1' PLOTTER

