

FIRE-FIGHTER'S PORTABLE RADIOTELEPHONE

ZXF-N2000

- Meet IMO MSC.338 (91) and IMO MSC.149 (77) regulation
- Designed for onboard fire-fighter's communication
- Ex-proof certificated
- Type approval with CCS



According to IMO MSC.338 (91) & SOLAS Chapter II-2, regulation 10.10.4:

Fire-fighter's communication

A minimum of TWO two-way portable radiotelephone apparatus for each fire party for fire-fighter's communication shall be carried on board. Those two-way portable radiotelephone apparatus shall be of an explosion-proof type or intrinsically safe.



SPECIFICATIONS

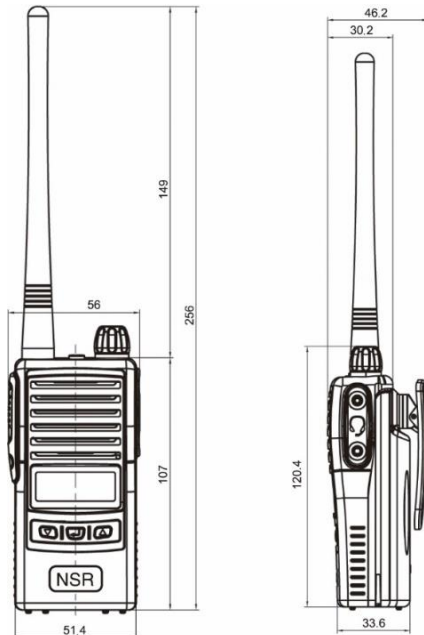
● FREQUENCY & CHANNEL

- Frequency Range: 156.300~156.875 MHz
- Channel Space: 25 kHz
- Usable Channels: 19 channels (default)

● TECHNICAL FEATURE

- Output Power: High 3.0 W / Low 0.5 W
- Communication Methods: Simplex
- Warming Up Time: Within 5 sec
- Squelch Control: ✓
- Dual Watch: ✓
- Key Locking: ✓
- Battery Save Mode: ✓
- Beep Establishment: ✓
- Location Indication: ✓
- Operating Temperature: -20°C~+60°C
- Size: 256 (H)×56 (W)×46.2 (D) mm
- Weight: 280 g (Transceiver + Battery)
- IP Grade: IP67 (Transceiver / Antenna / Battery)
IP22 (Charger / Adaptor)
- Ex Code: Exib IIB T4 Gb
- Battery Capacity: 2200 mAh
- Battery Voltage: DC 7.2 V

SIZE DIMENSION



EQUIPMENT LIST

● STANDARD

- Transceiver & Antenna 1 set
- Rechargeable Battery Pack 1 pc
- Battery Charger 1 pc
- AC/DC Adaptor 1 pc
- Belt Clip 1 pc
- Wrist Rope 1 pc

● OPTIONS

- External PTT & Skull Mic/Headset 1 set



Rechargeable
Battery Pack



Belt Clip



Battery Charger



AC/DC Adaptor



Skull Mic/Headset



Wrist Rope



External
PTT

